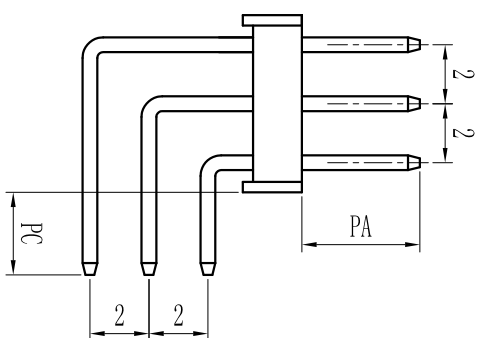
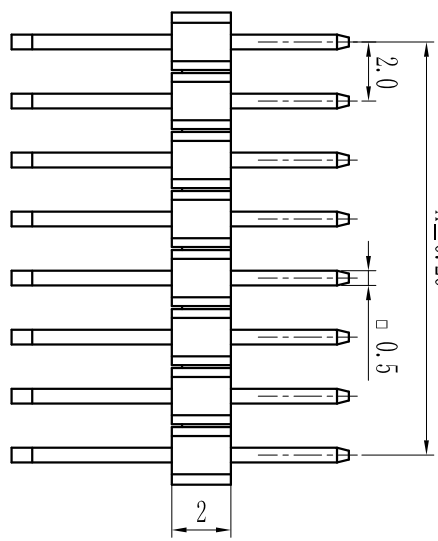
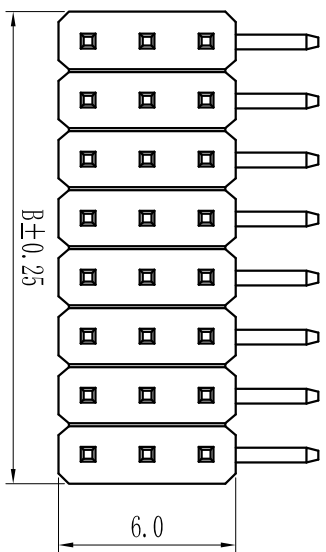


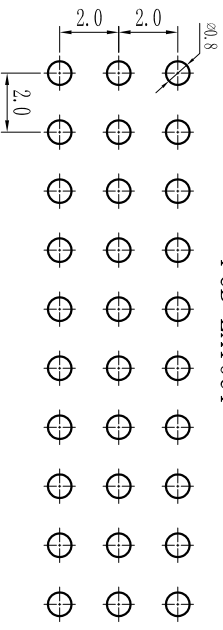
ROHS

For reference only

Pin No.	尺寸A	尺寸B
3X1	-	2.0
3X2	2.0	4.0
3X3	4.0	6.0
3X4	6.0	8.0
3X5	8.0	10.0
3X6	10.0	12.0
3X7	12.0	14.0
3X8	14.0	16.0
3X9	16.0	18.0
3X10	18.0	20.0
3X11	20.0	22.0
3X12	22.0	24.0
3X13	24.0	26.0
3X14	26.0	28.0
3X15	28.0	30.0
3X16	30.0	32.0
3X17	32.0	34.0
3X18	34.0	36.0
3X19	36.0	38.0
3X20	38.0	40.0
3X21	40.0	42.0
3X22	42.0	44.0
3X23	44.0	46.0
3X24	46.0	48.0
3X25	48.0	50.0
3X26	50.0	52.0
3X27	52.0	54.0
3X28	54.0	56.0
3X29	56.0	58.0
3X30	58.0	60.0
3X31	60.0	62.0
3X32	62.0	64.0
3X33	64.0	66.0
3X34	66.0	68.0
3X35	68.0	70.0
3X36	70.0	72.0
3X37	72.0	74.0
3X38	74.0	76.0
3X39	76.0	78.0
3X40	78.0	80.0
3X41	80.0	82.0
3X42	82.0	84.0
3X43	84.0	86.0
3X44	86.0	88.0
3X45	88.0	90.0
3X46	90.0	92.0
3X47	92.0	94.0
3X48	94.0	96.0
3X49	96.0	98.0
3X50	98.0	100.0
3X51	100.0	102.0
3X52	102.0	104.0



PCB LAYOUT



Height
H=1.0mm, 1.5mm, 2.0mm, 3.0mm

Specification:
 Current Rating : 1.5AMP
 Temperature Range : -40°C to +105°C
 Contact Resistance : 20mΩ Max
 Insulation Resistance : 1000MΩ Min
 Withstanding Voltage : AC 500V
 Material:
 Insulator : Polyester (UL94V-0)
 Standard: PBT/PA6T/LCP
 Contact: Brass
 Plating : Au or Sn Over 50μ" Ni

GENERAL TOLERANCES		SCALE:		NAME	DATE
LINEAR	ANGLES	1:1	APPROVED		
0.0 ± 0.25	X° REF ± 6°		DESIGNER		
UNIT: MM	X° ± 3°		DRAWN		
SIZE: A4	X° X' ± 2°				
REVISION RECORD	DATE	SIZE: A4	0.000 ± 0.08	X° X' ± 2°	
1	2	3	4	5	6
PART. NO: LSPH-0067		DRAWG. NO: ENDE0067		REV: A0	SHEET: 1/1

LS 深圳市联索连接器有限公司
 SHENZHEN UNICABLE CONNECTOR CO., LTD.
 公司地址: WWW.SZLSTC.COM 公司电话: 0755-23765650
 公司邮箱: SZLSTC@126.COM 公司传真: 0755-23765753

TITLE:
 Pitch: 2.00mm Pin Header, Single Plastic,
 Triple Row, Right Angle Type