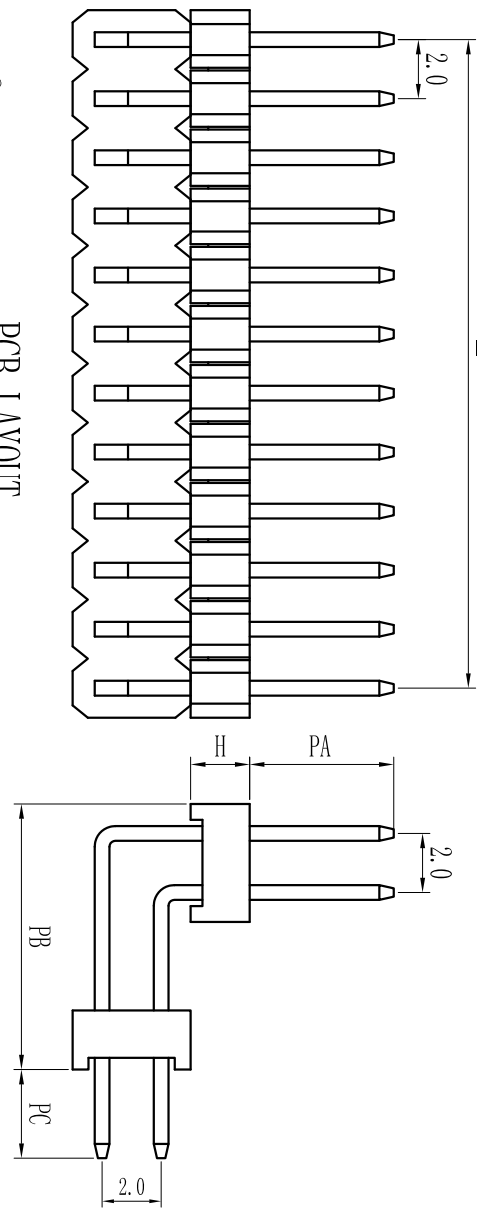
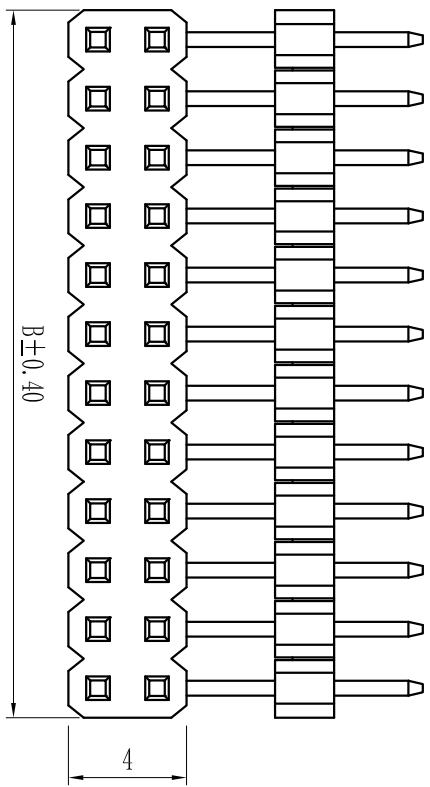
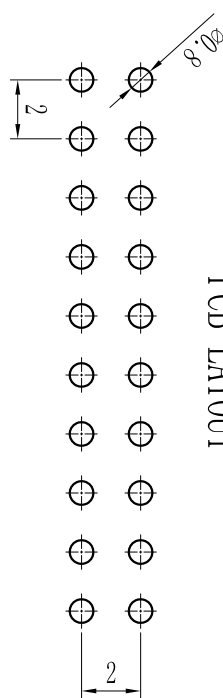


ROHS

Pin#	尺寸A	尺寸B
2X1	-	2.0
2X2	2.0	4.0
2X3	4.0	6.0
2X4	6.0	8.0
2X5	8.0	10.0
2X6	10.0	12.0
2X7	12.0	14.0
2X8	14.0	16.0
2X9	16.0	18.0
2X10	18.0	20.0
2X11	20.0	22.0
2X12	22.0	24.0
2X13	24.0	26.0
2X14	26.0	28.0
2X15	28.0	30.0
2X16	30.0	32.0
2X17	32.0	34.0
2X18	34.0	36.0
2X19	36.0	38.0
2X20	38.0	40.0
2X21	40.0	42.0
2X22	42.0	44.0
2X23	44.0	46.0
2X24	46.0	48.0
2X25	48.0	50.0
2X26	50.0	52.0
2X27	52.0	54.0
2X28	54.0	56.0
2X29	56.0	58.0
2X30	58.0	60.0
2X31	60.0	62.0
2X32	62.0	64.0
2X33	64.0	66.0
2X34	66.0	68.0
2X35	68.0	70.0
2X36	70.0	72.0
2X37	72.0	74.0
2X38	74.0	76.0
2X39	76.0	78.0
2X40	78.0	80.0
2X41	80.0	82.0
2X42	82.0	84.0
2X43	84.0	86.0
2X44	86.0	88.0
2X45	88.0	90.0
2X46	90.0	92.0
2X47	92.0	94.0
2X48	94.0	96.0
2X49	96.0	98.0
2X50	98.0	100.0
2X51	100.0	102.0
2X52	102.0	104.0



PCB LAYOUT



For reference only

Specification:
 Current Rating : 1.5AMP
 Temperature Range : -40°C to +105°C
 Contact Resistance : 20mΩ Max
 Insulation Resistance : 1000MΩ Min
 Withstanding Voltage : AC 500V
 Material:
 Insulator : Polyester (UL94V-0)
 Standard: PBT/PA6T/LCP
 Contact: Brass
 Plating : Au or Sn Over 50u" Ni

Height
H=1.0mm, 1.5mm, 2.0mm, 3.0mm

REV.	REVISION RECORD	DATE	SIZE: A4	0.000±0.08	X° X'±2°	SCALE: 1:1	NAME	DATE	TITLE: Pitch: 2.00mm Pin Header, Dual Plastic, Dual Row, Right Angle Type	PART. NO: LSPH-0061	REV: A0	SHEET: 1/1
1	2	3	4	5	6	7	8					

LS 深圳市联索连接器有限公司
 SHENZHEN UNICABLE CONNECTOR CO., LTD.
 公司地址: WWW.SZLSTC.COM 公司电话: 0755-23765650
 公司邮箱: SZLSTC@126.COM 公司传真: 0755-23765753

GENERAL TOLERANCES	ANGLES	APPROVED	DESIGNER	DRAWN
LINEAR: 0.0±0.25	X° REF±6°			
UNIT: MM	X° ±3°			