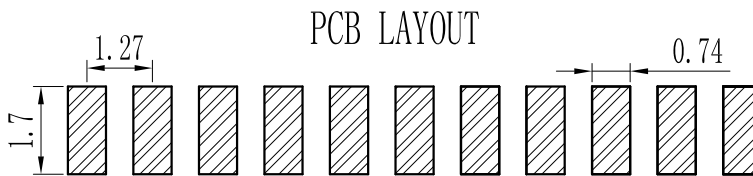
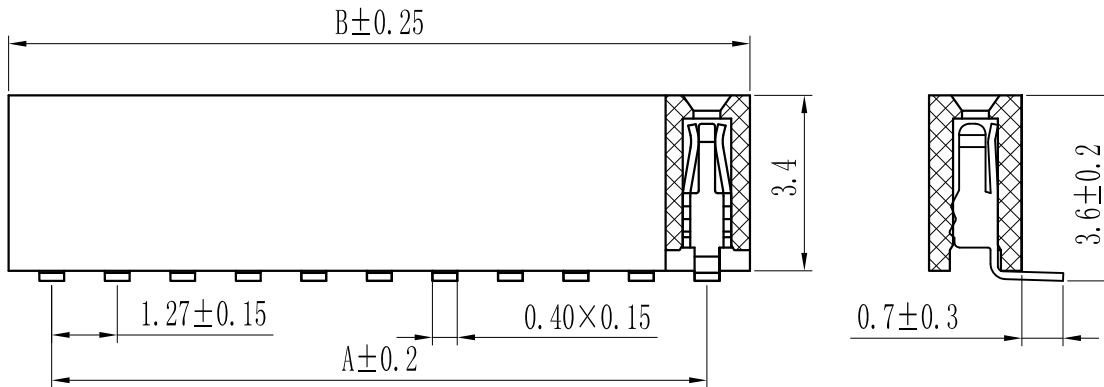
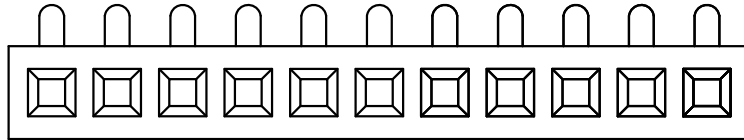
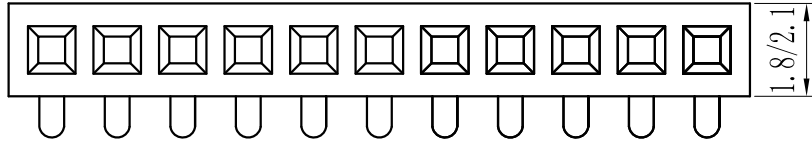


ROHS

For reference only

Pin数	尺寸A	尺寸B
1x2	1.27	2.94
1x3	2.54	4.21
1x4	3.81	5.48
1x5	5.08	6.75
1x6	6.35	8.02
1x7	7.62	9.29
1x8	8.89	10.56
1x9	10.16	11.83
1x10	11.43	13.10
1x11	12.70	14.37
1x12	13.97	15.64
1x13	15.24	16.91
1x14	16.51	18.18
1x15	17.78	19.45
1x16	19.05	20.72
1x17	20.32	21.99
1x18	21.59	23.26
1x19	22.86	24.53
1x20	24.13	25.80
1x21	25.40	27.07
1x22	26.67	28.34
1x23	27.94	29.61
1x24	29.21	30.88
1x25	30.48	32.15
1x26	31.75	33.42
1x27	33.02	34.69
1x28	34.29	35.96
1x29	35.56	37.23
1x30	36.83	38.50
1x31	38.10	39.77
1x32	39.37	41.04
1x33	40.64	42.31
1x34	41.91	43.58
1x35	43.18	44.85
1x36	44.45	46.12
1x37	45.72	47.39
1x38	46.99	48.66
1x39	48.26	49.93
1x40	49.53	51.20
1x41	50.80	52.47
1x42	52.07	53.74
1x43	53.34	55.01
1x44	54.61	56.28
1x45	55.88	57.55
1x46	57.15	58.82
1x47	58.42	60.09
1x48	59.69	61.36
1x49	60.96	62.63
1x50	62.23	63.90



Specification:  
 Current Rating : 1AMP  
 Temperature Range : -40°Cto+105°C  
 Contact Resistance : 20mΩ Max  
 Insulation Resistance : 1000MΩ Min  
 Withstanding Voltage : AC 500V  
 Material:  
 Insulator : Polyester (UL94V-0)  
 Standard:PA6T/LCP  
 Contact: Bronze  
 Plating : Au or Sn Over 50u" Ni

REV.	REVISION RECORD	DATE	UNIT: MM	GENERAL TOLERANCES		SCALE: 1:1	NAME	DATE	深圳市联索连接器有限公司 SHENZHEN UNICABLE CONNECTOR CO., LTD. 公司网址WWW.SZLSTC.CN 公司电话0755-23765650 公司邮箱SZLSTC@126.COM 公司传真0755-23765753	PART. NO:
				LINEAR	ANGLES	APPROVED				LSFH-0025
				0.0±0.25	X° REF±6°	DESIGNER				DWG. NO:
				0.00±0.15	X° ±3°	DRAWN				ENDE1025
				0.000±0.08	X° X'±2°	TITLE: Pitch1.27mm Female Header, Single Row, Plastic Height 3.4mm, SMT Type (U)			REV: AO SHEET: 1/1	