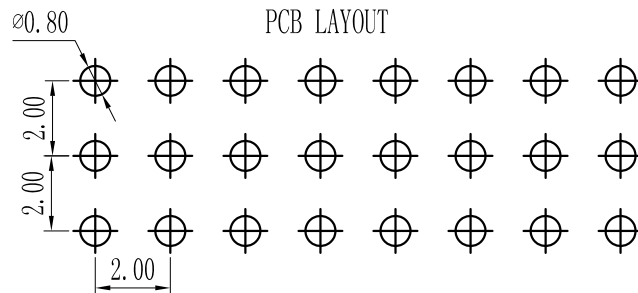
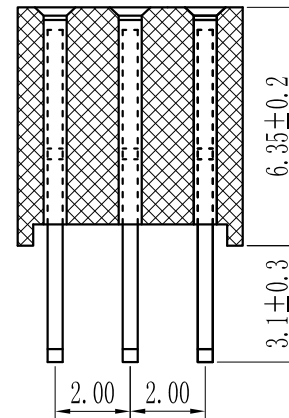
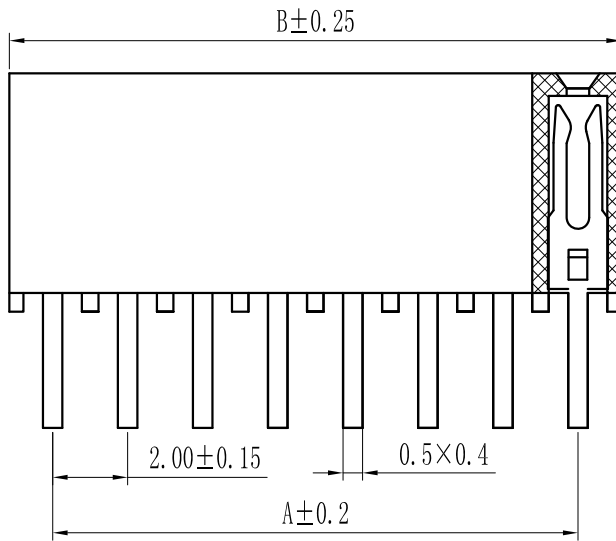
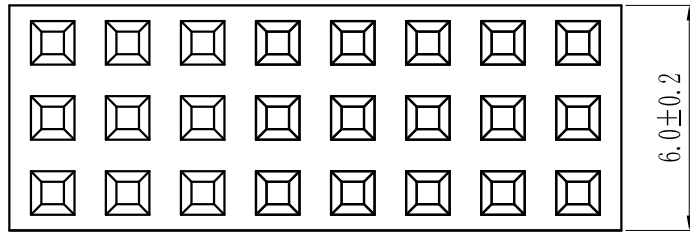


ROHS

For reference only

Pin数	尺寸A	尺寸B
3×3	4.0	6.3
3×4	6.0	8.3
3×5	8.0	10.3
3×6	10.0	12.3
3×7	12.0	14.3
3×8	14.0	16.3
3×9	16.0	18.3
3×10	18.0	20.3
3×11	20.0	22.3
3×12	22.0	24.3
3×13	24.0	26.3
3×14	26.0	28.3
3×15	28.0	30.3
3×16	30.0	32.3
3×17	32.0	34.3
3×18	34.0	36.3
3×19	36.0	38.3
3×20	38.0	40.3
3×21	40.0	42.3
3×22	42.0	44.3
3×23	44.0	46.3
3×24	46.0	48.3
3×25	48.0	50.3
3×26	50.0	52.3
3×27	52.0	54.3
3×28	54.0	56.3
3×29	56.0	58.3
3×30	58.0	60.3
3×31	60.0	62.3
3×32	62.0	64.3
3×33	64.0	66.3
3×34	66.0	68.3
3×35	68.0	70.3
3×36	70.0	72.3
3×37	72.0	74.3
3×38	74.0	76.3
3×39	76.0	78.3
3×40	78.0	80.3



Specification:
 Current Rating : 1.5AMP
 Temperature Range : -40°Cto+105°C
 Contact Resistance : 20mΩ Max
 Insulation Resistance : 1000MΩ Min
 Withstanding Voltage : AC 500V
 Material:
 Insulator : Polyester (UL94V-0)
 Standard:PBT/PA6T/LCP
 Contact: Brass
 Plating : Au or Sn Over 50u" Ni

REV.	REVISION RECORD	DATE	UNIT: MM	GENERAL TOLERANCES		SCALE: 1:1	NAME	DATE	深圳市联索连接器有限公司 SHENZHEN UNICABLE CONNECTOR CO., LTD. 公司网址WWW.SZLSTC.CN 公司电话0755-23765650 公司邮箱SZLSTC@126.COM 公司传真0755-23765753	PART. NO:	
				LINEAR	ANGLES					LSFH-0096	
				0.0 ± 0.25	X° REF ± 6°	APPROVED				DWG. NO:	
				0.00 ± 0.15	X° ± 3°	DESIGNER			TITLE: Pitch2.0mm Female Header, Triple Row, Plastic Height 6.35mm, DIP(Y)		
				0.000 ± 0.08	X° X' ± 2°	DRAWN			ENDE1096	REV: A0	SHEET: 1/1