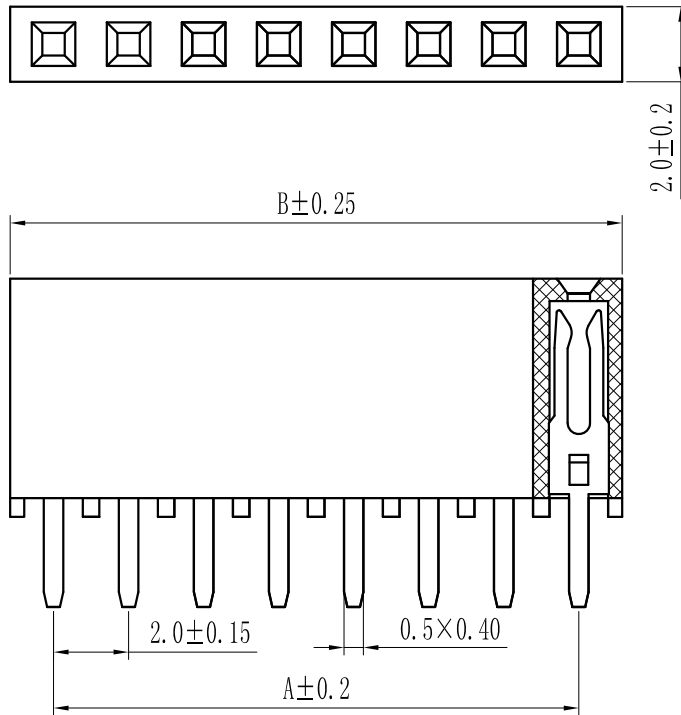


ROHS

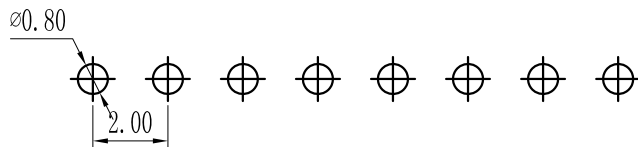
For reference only

Pin数	尺寸A	尺寸B
1×2	2.0	4.5
1×3	4.0	6.5
1×4	6.0	8.5
1×5	8.0	10.5
1×6	10.0	12.5
1×7	12.0	14.5
1×8	14.0	16.5
1×9	16.0	18.5
1×10	18.0	20.5
1×11	20.0	22.5
1×12	22.0	24.5
1×13	24.0	26.5
1×14	26.0	28.5
1×15	28.0	30.5
1×16	30.0	32.5
1×17	32.0	34.5
1×18	34.0	36.5
1×19	36.0	38.5
1×20	38.0	40.5
1×21	40.0	42.5
1×22	42.0	44.5
1×23	44.0	46.5
1×24	46.0	48.5
1×25	48.0	50.5
1×26	50.0	52.5
1×27	52.0	54.5
1×28	54.0	56.5
1×29	56.0	58.5
1×30	58.0	60.5
1×31	60.0	62.5
1×32	62.0	64.5
1×33	64.0	66.5
1×34	66.0	68.5
1×35	68.0	70.5
1×36	70.0	72.5
1×37	72.0	74.5
1×38	74.0	76.5
1×39	76.0	78.5
1×40	78.0	80.5



Specification:
 Current Rating : 1.5AMP
 Temperature Range : -40℃to+105℃
 Contact Resistance : 20mΩ Max
 Insulation Resistance : 1000MΩ Min
 Withstanding Voltage : AC 500V
 Material:
 Insulator : Polyester (UL94V-0)
 Standard:PBT/PA6T/LCP
 Contact: Brass
 Plating : Au or Sn Over 50u" Ni

PCB LAYOUT



REV.	REVISION RECORD	DATE	UNIT: MM SIZE: A4	GENERAL TOLERANCES		SCALE: 1:1	NAME	DATE	深圳市联索连接器有限公司 SHENZHEN UNICABLE CONNECTOR CO., LTD. 公司网址WWW.SZLSTC.CN 公司邮箱SZLSTC@126.COM 公司电话0755-23765650 公司传真0755-23765753	PART. NO: LSFH-0091	
				LINEAR	ANGLES					APPROVED	DWG. NO: ENDE1091
				0.00±0.25	X° REF±6°					DESIGNER	
				0.00±0.15	X° ±3°					DRAWN	
				0.00±0.08	X° X'±2°	TITLE: Pitch2.0mm Female Header, Single Row, Plastic Height 6.35mm, DIP(Y)			REV: A0	SHEET: 1/1	