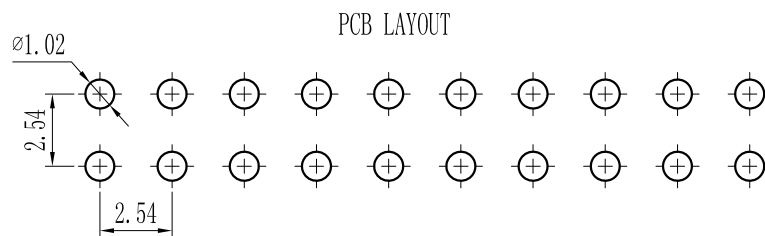
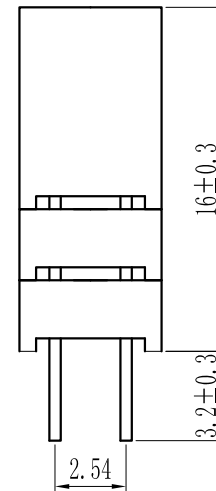
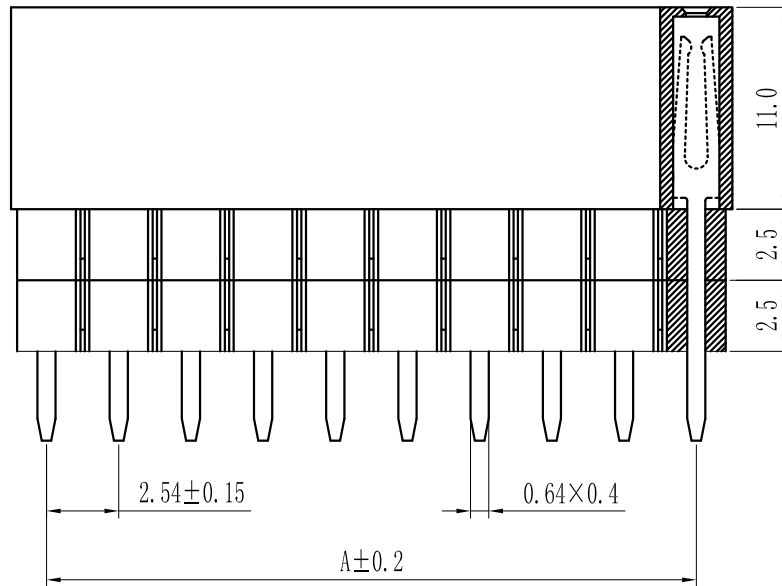
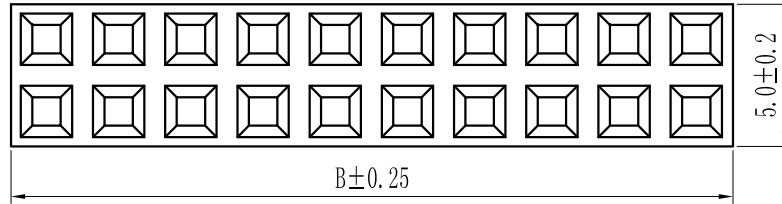


ROHS

For reference only

| Pin数 | 尺寸A | 尺寸B |
|------|-------|--------|
| 2x2 | 2.54 | 5.58 |
| 2x3 | 5.08 | 8.12 |
| 2x4 | 7.62 | 10.66 |
| 2x5 | 10.16 | 13.20 |
| 2x6 | 12.70 | 15.74 |
| 2x7 | 15.24 | 18.28 |
| 2x8 | 17.78 | 20.82 |
| 2x9 | 20.32 | 23.36 |
| 2x10 | 22.86 | 25.90 |
| 2x11 | 25.40 | 28.44 |
| 2x12 | 27.94 | 30.98 |
| 2x13 | 30.48 | 33.52 |
| 2x14 | 33.02 | 36.06 |
| 2x15 | 35.56 | 38.60 |
| 2x16 | 38.10 | 41.14 |
| 2x17 | 40.64 | 43.68 |
| 2x18 | 43.18 | 46.22 |
| 2x19 | 45.72 | 48.76 |
| 2x20 | 48.26 | 51.30 |
| 2x21 | 50.80 | 53.84 |
| 2x22 | 53.34 | 56.38 |
| 2x23 | 55.88 | 58.92 |
| 2x24 | 58.42 | 61.46 |
| 2x25 | 60.96 | 64.00 |
| 2x26 | 63.50 | 66.54 |
| 2x27 | 66.04 | 69.08 |
| 2x28 | 68.58 | 71.62 |
| 2x29 | 71.12 | 74.16 |
| 2x30 | 73.66 | 76.70 |
| 2x31 | 76.20 | 79.24 |
| 2x32 | 78.74 | 81.78 |
| 2x33 | 81.28 | 84.32 |
| 2x34 | 83.82 | 86.86 |
| 2x35 | 86.36 | 89.40 |
| 2x36 | 88.90 | 91.94 |
| 2x37 | 91.44 | 94.48 |
| 2x38 | 93.98 | 97.02 |
| 2x39 | 96.52 | 99.56 |
| 2x40 | 99.06 | 102.10 |



Specification:

Current Rating : 3AMP

Temperature Range : -40°Cto+105°C

Contact Resistance : 20mΩ Max

Insulation Resistance : 1000MΩ Min

Withstanding Voltage : AC 1000V

Material:

Insulator : Polyester (UL94V-0)

Standard:PBT/PA6T/LCP

Contact: Brass

Plating : Au or Sn Over 50u" Ni

| REV. | REVISION RECORD | DATE | UNIT: MM | GENERAL TOLERANCES | | SCALE: 1:1 | NAME | DATE | 深圳市联索连接器有限公司 SHENZHEN UNICABLE CONNECTOR CO., LTD. 公司网址WWW.SZLSTC.CN 公司电话0755-23765650 公司邮箱SZLSTC@126.COM 公司传真0755-23765753 | PART. NO: | |
|------|-----------------|------|----------|--------------------|-----------|------------|------|------|--|-------------------|--|
| | | | | LINEAR | ANGLES | | | | | LSFH-0208 | |
| | | | | 0.0±0.25 | X° REF±6° | APPROVED | | | | DWG. NO: ENDE1208 | |
| | | | SIZE: A4 | 0.00±0.15 | X° ±3° | DESIGNER | | | TITLE: Pitch2.54mm Female Header, Dual Row, Plastic Height (11.0+2.5+2.5)mm, DIP Type(Y) | | |
| | | | | 0.000±0.08 | X° X'±2° | DRAWN | | | REV: AO | SHEET: 1/1 | |