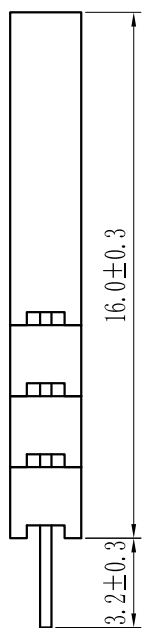
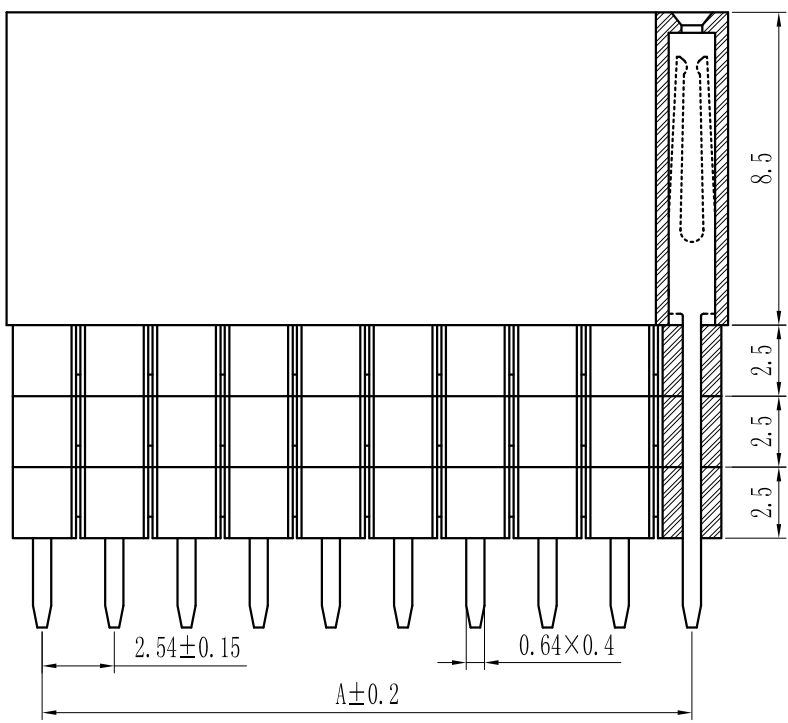
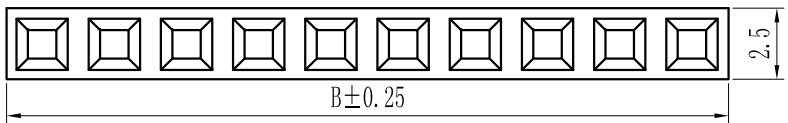


ROHS

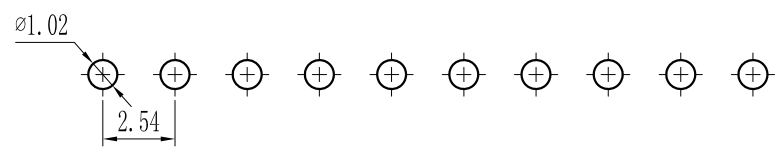
For reference only

Pin数	尺寸A	尺寸B
1×2	2.54	5.48
1×3	5.08	8.02
1×4	7.62	10.56
1×5	10.16	13.10
1×6	12.70	15.64
1×7	15.24	18.18
1×8	17.78	20.72
1×9	20.32	23.26
1×10	22.86	25.80
1×11	25.40	28.34
1×12	27.94	30.88
1×13	30.48	33.42
1×14	33.02	35.96
1×15	35.56	38.50
1×16	38.10	41.04
1×17	40.64	43.58
1×18	43.18	46.12
1×19	45.72	48.66
1×20	48.26	51.20
1×21	50.80	53.74
1×22	53.34	56.28
1×23	55.88	58.82
1×24	58.42	61.36
1×25	60.96	63.90
1×26	63.50	66.44
1×27	66.04	68.98
1×28	68.58	71.52
1×29	71.12	74.06
1×30	73.66	76.60
1×31	76.20	79.14
1×32	78.74	81.68
1×33	81.28	84.22
1×34	83.82	86.76
1×35	86.36	89.30
1×36	88.90	91.84
1×37	91.44	94.38
1×38	93.98	96.92
1×39	96.52	99.46
1×40	99.06	102.00



Specification:
 Current Rating : 3AMP
 Temperature Range : -40°Cto+105°C
 Contact Resistance : 20mΩ Max
 Insulation Resistance : 1000MΩ Min
 Withstanding Voltage : AC 1000V
 Material:
 Insulator : Polyester (UL94V-0)
 Standard:PBT/PA6T/LCP
 Contact: Brass
 Plating : Au or Sn Over 50u" Ni

PCB LAYOUT



		GENERAL TOLERANCES		SCALE: 1:1	NAME	DATE	深圳市联索连接器有限公司 SHENZHEN UNICABLE CONNECTOR CO., LTD. 公司网址WWW.SZLSTC.CN 公司电话0755-23765650 公司邮箱SZLSTC@126.COM 公司传真0755-23765753	PART. NO: LSFH-0205
		LINEAR	ANGLES	APPROVED				DWG. NO: ENDE1205
		UNIT: MM	0.00±0.15	X° REF±6°	DESIGNER		TITLE: Pitch2.54mm Female Header, Single Row, Plastic Height (8.5+2.5+2.5+2.5)mm, DIP Type(Y)	REV: A0
REV.	REVISION RECORD	DATE	SIZE: A4	0.000±0.08	X° X'±2°	DRAWN		SHEET: 1/1