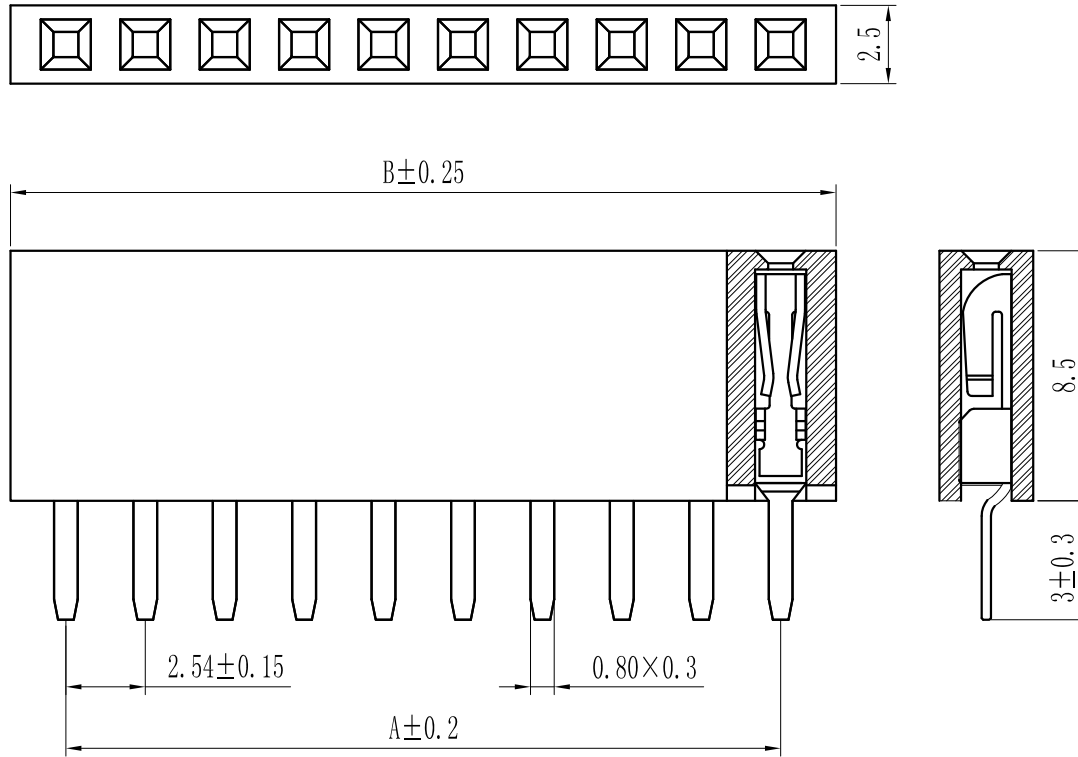


ROHS

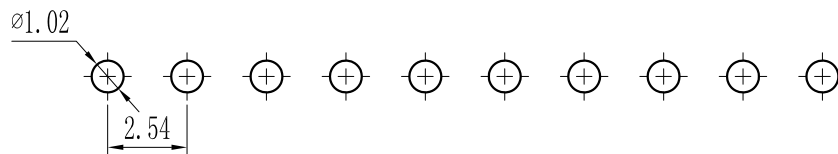
For reference only


Pin数	尺寸A	尺寸B
1×2	2.54	5.58
1×3	5.08	8.12
1×4	7.62	10.66
1×5	10.16	13.20
1×6	12.70	15.74
1×7	15.24	18.28
1×8	17.78	20.82
1×9	20.32	23.36
1×10	22.86	25.90
1×11	25.40	28.44
1×12	27.94	30.98
1×13	30.48	33.52
1×14	33.02	36.06
1×15	35.56	38.60
1×16	38.10	41.14
1×17	40.64	43.68
1×18	43.18	46.22
1×19	45.72	48.76
1×20	48.26	51.30
1×21	50.80	53.84
1×22	53.34	56.38
1×23	55.88	58.92
1×24	58.42	61.46
1×25	60.96	64.00
1×26	63.50	66.54
1×27	66.04	69.08
1×28	68.58	71.62
1×29	71.12	74.16
1×30	73.66	76.70
1×31	76.20	79.24
1×32	78.74	81.78
1×33	81.28	84.32
1×34	83.82	86.86
1×35	86.36	89.40
1×36	88.90	91.94
1×37	91.44	94.48
1×38	93.98	97.02
1×39	96.52	99.56
1×40	99.06	102.10



Specification:
 Current Rating : 3AMP
 Temperature Range : -40°C to $+105^{\circ}\text{C}$
 Contact Resistance : $20\text{m}\Omega$ Max
 Insulation Resistance : $1000\text{M}\Omega$ Min
 Withstanding Voltage : AC 1000V
 Material:
 Insulator : Polyester (UL94V-0)
 Standard: PBT/PA6T/LCP
 Contact: Bronze
 Plating : Au or Sn Over $50\mu\text{Ni}$

PCB LAYOUT



REV.	REVISION RECORD	DATE	UNIT: MM	GENERAL TOLERANCES		SCALE: 1:1	NAME	DATE	 深圳市联索连接器有限公司 SHENZHEN UNICABLE CONNECTOR CO., LTD. 公司网址 WWW.SZLSTC.CN 公司邮箱 SZLSTC@126.COM 公司电话 0755-23765650 公司传真 0755-23765753	PART. NO:		
				LINEAR	ANGLES					LSFH-0183		
				0.00 ± 0.15	$X^{\circ} \pm 3^{\circ}$	APPROVED					DWG. NO:	
				0.000 ± 0.08	$X^{\circ} X' \pm 2^{\circ}$	DESIGNER					ENDE1183	
						DRAWN				REV:	SHEET:	
										AO	1/1	