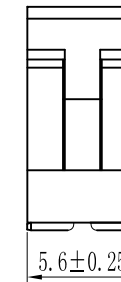
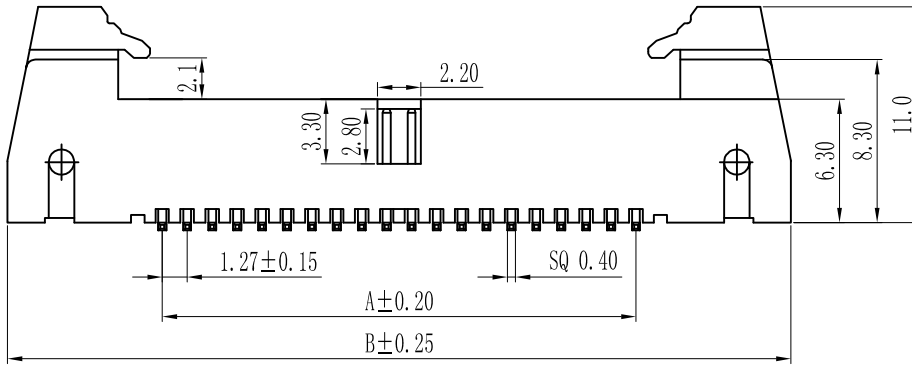
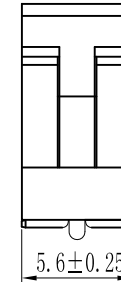
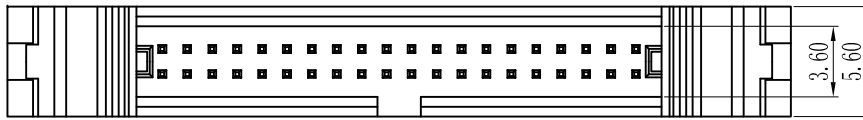


ROHS

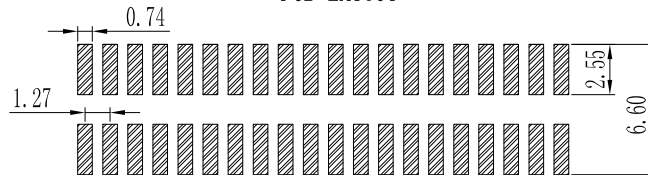
For reference only


Pin数	尺寸A	尺寸B
2×6	6.35	22.12
2×8	8.89	24.66
2×10	11.43	27.20
2×12	13.97	29.74
2×14	16.51	32.28
2×16	19.05	34.82
2×18	21.59	37.36
2×20	24.13	39.90
2×22	26.67	42.44
2×24	29.21	44.98
2×26	31.75	47.52
2×28	34.29	50.06
2×30	36.83	52.60
2×32	39.37	55.14
2×34	41.91	57.68
2×36	44.45	60.22
2×38	46.99	62.76
2×40	49.53	65.30
2×42	52.07	67.84
2×44	54.61	70.38
2×46	57.15	72.92
2×48	59.69	75.46
2×50	62.23	78.00
2×52	64.77	80.54
2×54	67.31	83.08
2×56	69.85	85.62
2×58	72.39	88.16
2×60	74.93	90.70



Specification:  
 Current Rating : 1AMP  
 Temperature Range : -40°Cto+105°C  
 Contact Resistance : 20mΩ Max  
 Insulation Resistance : 1000MΩ Min  
 Withstanding Voltage : AC 500V  
 Material:  
 Insulator : Polyester (UL94V-0)  
 Standard:PA6T/LCP  
 Contact: Brass  
 Plating : Au or Sn Over 50u" Ni

PCB LAYOUT



REV.	REVISION RECORD	DATE	UNIT: MM SIZE: A4	GENERAL TOLERANCES		SCALE: 1:1	NAME	DATE	 <b>深圳市联索连接器有限公司</b> <b>SHENZHEN UNICABLE CONNECTOR CO., LTD.</b> 公司网址WWW.SZLSTC.CN 公司邮箱SZLSTC@126.COM 公司电话0755-23765650 公司传真0755-23765753	PART. NO: LSEH-0002	
				0.0±0.25	X° REF±6°					APPROVED	DWG. NO: ENDE3002
				0.00±0.15	X° ±3°					DESIGNER	REV: A0
				0.000±0.08	X° X'±2°					DRAWN	SHEET: 1/1

深圳市联索连接器有限公司  
 SHENZHEN UNICABLE CONNECTOR CO., LTD.

公司网址WWW.SZLSTC.CN  
 公司邮箱SZLSTC@126.COM  
 公司电话0755-23765650  
 公司传真0755-23765753

TITLE:  
 Pitch1.27mm Ejector Header, Dual Row,  
 Plastic Height 6.3mm, SMT (with Local Peg) Type

PART. NO:  
LSEH-0002  
 DWG. NO:  
ENDE3002  
 REV: A0  
 SHEET: 1/1