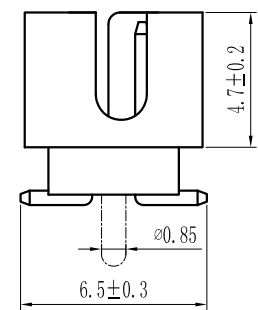
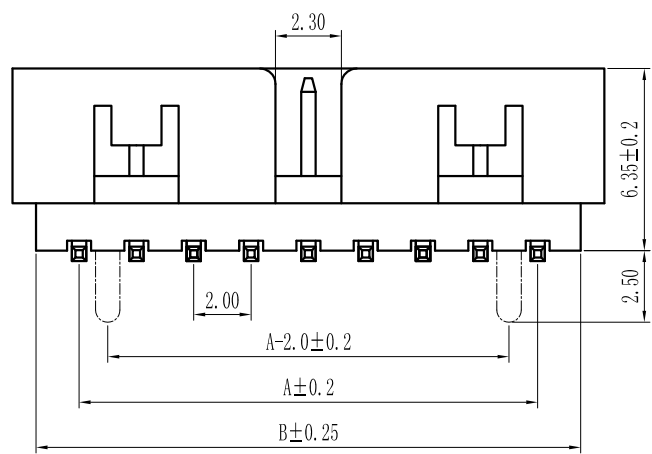
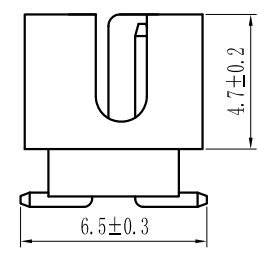
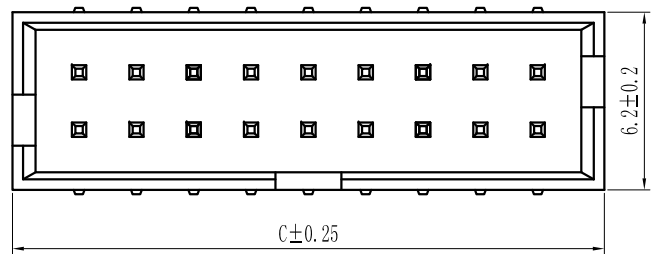


ROHS

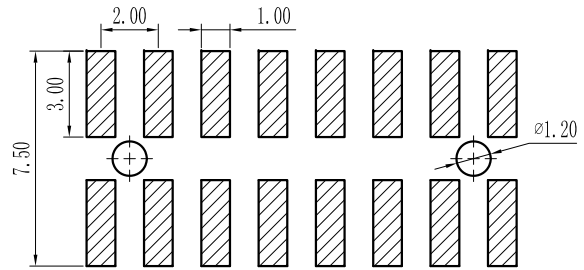
For reference only

Pin数	尺寸A	尺寸B	尺寸C
2×5	8.00	11.00	12.65
2×6	10.00	13.00	14.65
2×7	12.00	15.00	16.65
2×8	14.00	17.00	18.65
2×9	16.00	19.00	20.65
2×10	18.00	21.00	22.65
2×11	20.00	23.00	24.65
2×12	22.00	25.00	26.65
2×13	24.00	27.00	28.65
2×14	26.00	29.00	30.65
2×15	28.00	31.00	32.65
2×16	30.00	33.00	34.65
2×17	32.00	35.00	36.65
2×18	34.00	37.00	38.65
2×19	36.00	39.00	40.65
2×20	38.00	41.00	42.65
2×21	40.00	43.00	44.65
2×22	42.00	45.00	46.65
2×23	44.00	47.00	48.65
2×24	46.00	49.00	50.65
2×25	48.00	51.00	52.65
2×26	50.00	53.00	54.65
2×27	52.00	55.00	56.65
2×28	54.00	57.00	58.65
2×29	56.00	59.00	60.65
2×30	58.00	61.00	62.65
2×31	60.00	63.00	64.65
2×32	62.00	65.00	66.65
2×33	64.00	67.00	68.65
2×34	66.00	69.00	70.65
2×35	68.00	71.00	72.65
2×36	70.00	73.00	74.65
2×37	72.00	75.00	76.65
2×38	74.00	77.00	78.65
2×39	76.00	79.00	80.65
2×40	78.00	81.00	82.65



Specification:
 Current Rating : 1.5AMP
 Temperature Range : -40°Cto+105°C
 Contact Resistance : 20mΩ Max
 Insulation Resistance : 1000MΩ Min
 Withstanding Voltage : AC 500V
 Material:
 Insulator : Polyester (UL94V-0)
 Standard:PA6T/LCP
 Contact: Brass
 Plating : Au or Sn Over 50u" Ni

PCB LAYOUT



REV.	REVISION RECORD		DATE	SIZE: A4	GENERAL TOLERANCES	SCALE: 1:1	NAME	DATE	<p>深圳市联索连接器有限公司 SHENZHEN UNICABLE CONNECTOR CO., L.TD. 公司网址WWW.SZLSTC.CN 公司电话0755-23765650 公司邮箱SZLSTC@126.COM 公司传真0755-23765753</p>	PART. NO: LSBH-0023
					LINEAR	APPROVED				DWG. NO: ENDE2023
					0.0±0.25	DESIGNER				TITLE: Pitch2.00mm Box Header, Dual Row, Plastic Height 6.35mm, SMT (with Local Peg) Type
					0.00±0.15	DRAWN				REV: A0 SHEET: 1/1
					ANGLES					
					X° REF±6°					
					X° ±3°					
					X° X'±2°					