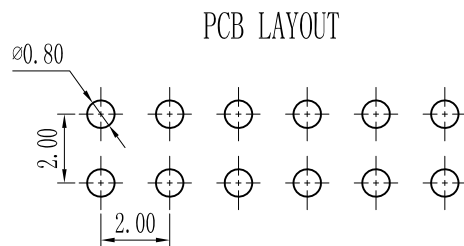
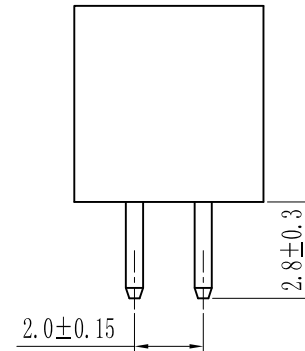
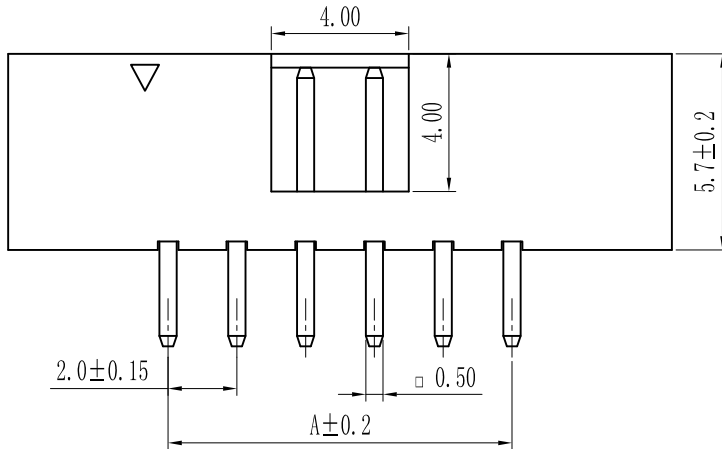
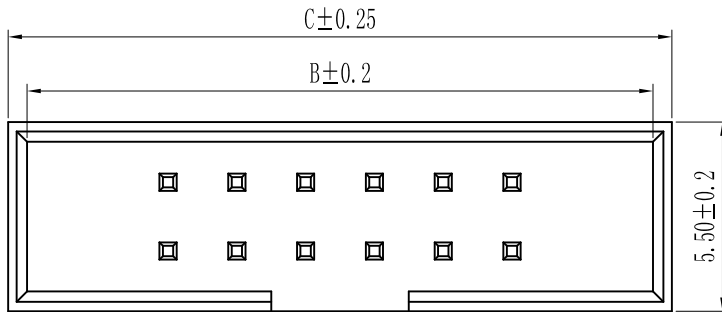


ROHS

For reference only

Pin数	尺寸A	尺寸B	尺寸C
2×3	4.00	12.20	13.30
2×4	6.00	14.20	15.30
2×5	8.00	16.20	17.30
2×6	10.00	18.20	19.30
2×7	12.00	20.20	21.30
2×8	14.00	22.20	23.30
2×9	16.00	24.20	25.30
2×10	18.00	26.20	27.30
2×11	20.00	28.20	29.30
2×12	22.00	30.20	31.30
2×13	24.00	32.20	33.30
2×14	26.00	34.20	35.30
2×15	28.00	36.20	37.30
2×16	30.00	38.20	39.30
2×17	32.00	40.20	41.30
2×18	34.00	42.20	43.30
2×19	36.00	44.20	45.30
2×20	38.00	46.20	47.30
2×21	40.00	48.20	49.30
2×22	42.00	50.20	51.30
2×23	44.00	52.20	53.30
2×24	46.00	54.20	55.30
2×25	48.00	56.20	57.30
2×26	50.00	58.20	59.30
2×27	52.00	60.20	61.30
2×28	54.00	62.20	63.30
2×29	56.00	64.20	65.30
2×30	58.00	66.20	67.30
2×31	60.00	68.20	69.30
2×32	62.00	70.20	71.30
2×33	64.00	72.20	73.30
2×34	66.00	74.20	75.30



Specification:

Current Rating : 1.5AMP

Temperature Range : -40℃to+105℃

Contact Resistance : 20mΩ Max

Insulation Resistance : 1000MΩ Min

Withstanding Voltage : AC 500V

Material:

Insulator : Polyester (UL94V-0)

Standard:PBT/PA6T/LCP

Contact: Brass

Plating : Au or Sn Over 50u" Ni

H				GENERAL TOLERANCES		SCALE: 1:1	NAME	DATE	<p>深圳市联索连接器有限公司 SHENZHEN UNICABLE CONNECTOR CO., LTD. 公司网址WWW.SZLSTC.CN 公司电话0755-23765650 公司邮箱SZLSTC@126.COM 公司传真0755-23765753</p>	PART. NO: LSBH-0017	
				LINEAR	ANGLES	APPROVED				DWG. NO: ENDE2017	
				0.0±0.25	X° REF±6°	DESIGNER				REV: A0	SHEET: 1/1
				UNIT: MM	0.00±0.15	X° ±3°	DRAWN				
	REV.	REVISION RECORD	DATE	SIZE: A4	0.000±0.08	X° X'±2°			TITLE: Pitch2.00mm Box Header, Dual Row, Plastic Height 5.7mm, DIP		