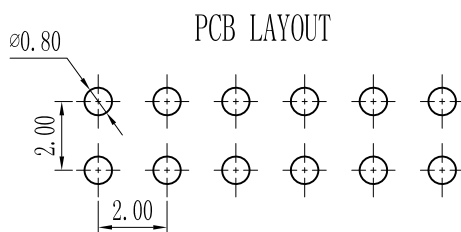
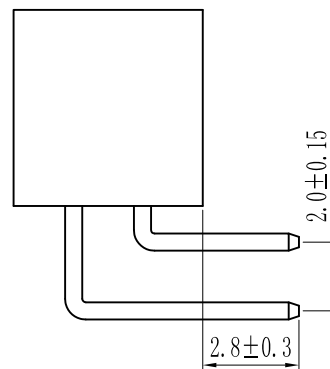
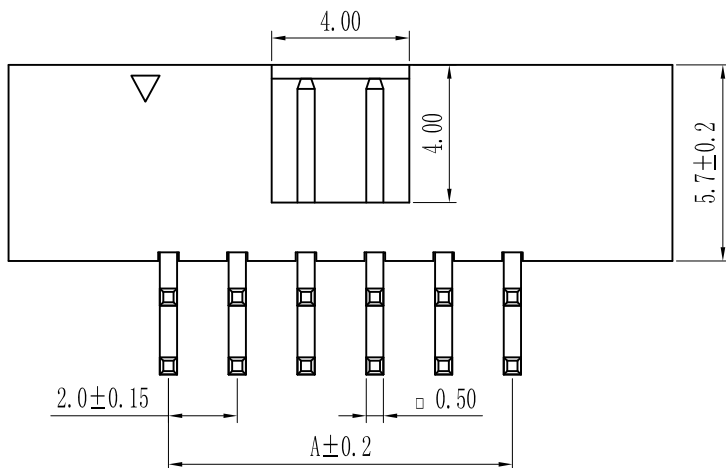
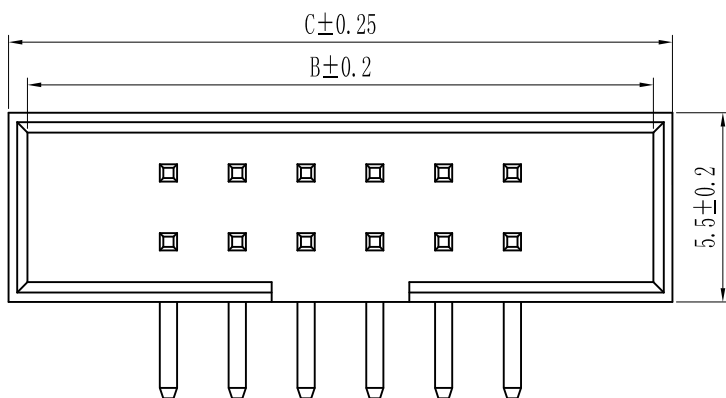


ROHS

For reference only

| Pin数 | 尺寸A | 尺寸B | 尺寸C |
|------|-------|-------|-------|
| 2×3 | 4.00 | 12.20 | 13.30 |
| 2×4 | 6.00 | 14.20 | 15.30 |
| 2×5 | 8.00 | 16.20 | 17.30 |
| 2×6 | 10.00 | 18.20 | 19.30 |
| 2×7 | 12.00 | 20.20 | 21.30 |
| 2×8 | 14.00 | 22.20 | 23.30 |
| 2×9 | 16.00 | 24.20 | 25.30 |
| 2×10 | 18.00 | 26.20 | 27.30 |
| 2×11 | 20.00 | 28.20 | 29.30 |
| 2×12 | 22.00 | 30.20 | 31.30 |
| 2×13 | 24.00 | 32.20 | 33.30 |
| 2×14 | 26.00 | 34.20 | 35.30 |
| 2×15 | 28.00 | 36.20 | 37.30 |
| 2×16 | 30.00 | 38.20 | 39.30 |
| 2×17 | 32.00 | 40.20 | 41.30 |
| 2×18 | 34.00 | 42.20 | 43.30 |
| 2×19 | 36.00 | 44.20 | 45.30 |
| 2×20 | 38.00 | 46.20 | 47.30 |
| 2×21 | 40.00 | 48.20 | 49.30 |
| 2×22 | 42.00 | 50.20 | 51.30 |
| 2×23 | 44.00 | 52.20 | 53.30 |
| 2×24 | 46.00 | 54.20 | 55.30 |
| 2×25 | 48.00 | 56.20 | 57.30 |
| 2×26 | 50.00 | 58.20 | 59.30 |
| 2×27 | 52.00 | 60.20 | 61.30 |
| 2×28 | 54.00 | 62.20 | 63.30 |
| 2×29 | 56.00 | 64.20 | 65.30 |
| 2×30 | 58.00 | 66.20 | 67.30 |
| 2×31 | 60.00 | 68.20 | 69.30 |
| 2×32 | 62.00 | 70.20 | 71.30 |
| 2×33 | 64.00 | 72.20 | 73.30 |
| 2×34 | 66.00 | 74.20 | 75.30 |



Specification:
 Current Rating : 1.5AMP
 Temperature Range : -40°Cto+105°C
 Contact Resistance : 20mΩ Max
 Insulation Resistance : 1000MΩ Min
 Withstanding Voltage : AC 500V
 Material:
 Insulator : Polyester (UL94V-0)
 Standard:PBT/PA6T/LCP
 Contact: Brass
 Plating : Au or Sn Over 50u" Ni

| | | | | | | | | | |
|------|-----------------|------|----------|--------------------|---------------|------|------|---|------------------------|
| | | | | GENERAL TOLERANCES | SCALE: 1:1 | NAME | DATE | <p>深圳市联索连接器有限公司 SHENZHEN UNICABLE CONNECTOR CO., LTD. 公司地址WWW.SZLSTC.CN 公司电话0755-23765650 公司邮箱SZLSTC@126.COM 公司传真0755-23765753</p> | PART. NO: LSBH-0021 |
| | | | | LINEAR | APPROVED | | | | DWG. NO: ENDE2021 |
| | | | | 0.0±0.25 | DESIGNER | | | | REV: A0 |
| | | | | 0.00±0.15 | DRAWN | | | | SHEET: 1/1 |
| REV. | REVISION RECORD | DATE | UNIT: MM | SIZE: A4 | 0.000±0.08 | | | TITLE: Pitch2.00mm Box Header, Dual Row, Plastic Height 5.7mm, Right Angle Type | |