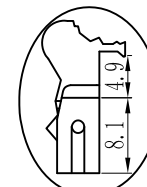
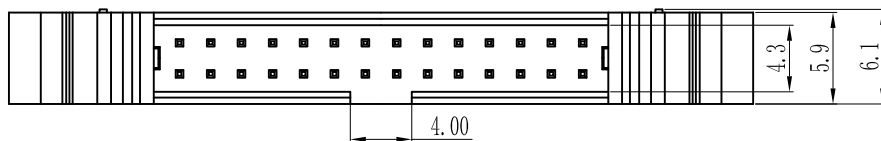
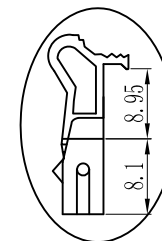


ROHS

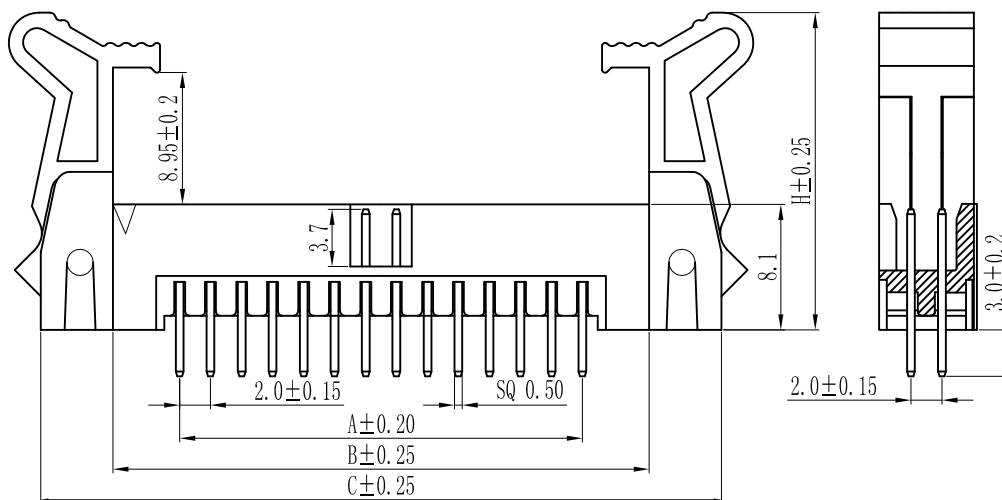
Pin数	尺寸A	尺寸B	尺寸C
2×6	10.00	18.30	27.90
2×8	14.00	22.30	31.90
2×10	18.00	26.30	35.90
2×12	22.00	30.30	39.90
2×14	26.00	34.30	43.90
2×16	30.00	38.30	47.90
2×18	34.00	42.30	51.90
2×20	38.00	46.30	55.90
2×22	42.00	50.30	59.90
2×24	46.00	54.30	63.90
2×26	50.00	58.30	67.90
2×28	54.00	62.30	71.90
2×30	58.00	66.30	75.90
2×32	62.00	70.30	79.90
2×34	66.00	74.30	83.90
2×36	70.00	78.30	87.90
2×38	74.00	82.30	91.90
2×40	78.00	86.30	95.90
2×42	82.00	90.30	99.90
2×44	86.00	94.30	103.90
2×46	90.00	98.30	107.90
2×48	94.00	102.30	111.90
2×50	98.00	106.30	115.90
2×52	102.00	110.30	119.90
2×54	106.00	114.30	123.90
2×56	110.00	118.30	127.90
2×58	114.00	122.30	131.90
2×60	118.00	126.30	135.90



SHORT LATCH



LONG LATCH



Specification:

Current Rating : 1.5AMP

Temperature Range : -40°Cto+105°C

Contact Resistance : 20mΩ Max

Insulation Resistance : 1000MΩ Min

Withstanding Voltage : AC 500V

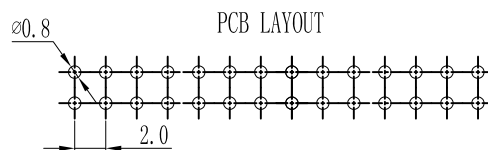
Material:

Insulator : Polyester (UL94V-0)

Standard:PBT/PA6T/LCP

Contact: Brass

Plating : Au or Sn Over 50u" Ni



REV.	REVISION RECORD	DATE	UNIT: MM	GENERAL TOLERANCES		SCALE: 1:1	NAME	DATE
				LINEAR	ANGLES			
				0.00±0.15	X° ±3°	APPROVED		
				0.00±0.08	X° X'±2°	DESIGNER		
						DRAWN		

**深圳市联索连接器有限公司**  
**SHENZHEN UNICABLE CONNECTOR CO., LTD.**  
 公司网址WWW.SZLSTC.CN 公司电话0755-23765650  
 公司邮箱SZLSTC@126.COM 公司传真0755-23765753

TITLE: 2.00mm间距牛角, 180°, 立高8.1mm Spec: 2.00mm  
 Ejector Header, Dual Row, 180° Positions:  
 2×6°2×40 Plastics Height: 8.1mm

PART. NO: LSEH-0009-01

DWG. NO: ENDE3009-01

REV: A0 SHEET: 1/1