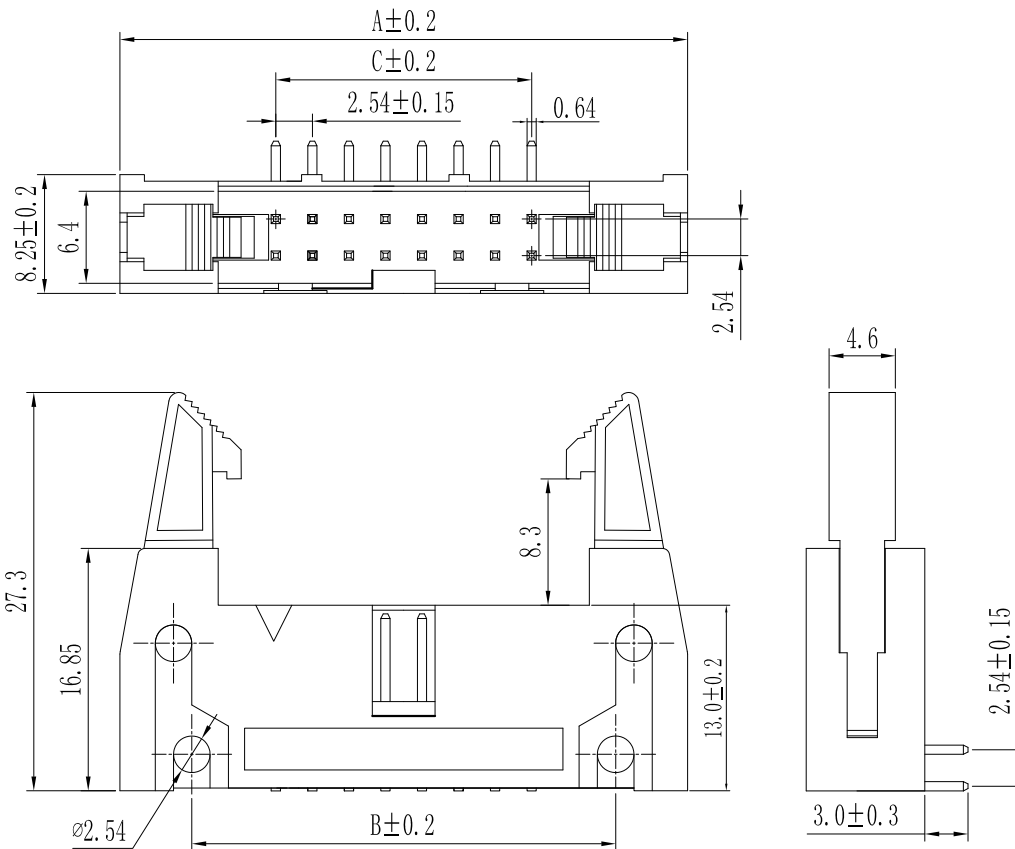


ROHS

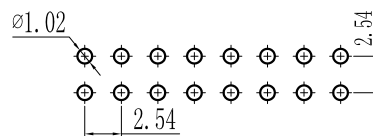
For reference only

Pin数	尺寸A	尺寸B	尺寸C
2×5	10.16	21.68	31.90
2×6	12.70	24.22	34.44
2×7	15.24	26.76	36.98
2×8	17.78	29.30	39.52
2×9	20.32	31.84	42.06
2×10	22.86	34.38	44.60
2×11	25.40	36.92	47.14
2×12	27.94	39.46	49.68
2×13	30.48	42.00	52.22
2×14	33.02	44.54	54.76
2×15	35.56	47.08	57.30
2×16	38.10	49.62	59.84
2×17	40.64	52.16	62.38
2×18	43.18	54.70	64.92
2×19	45.72	57.24	67.46
2×20	48.26	59.78	70.00
2×21	50.80	62.32	72.54
2×22	53.34	64.86	75.08
2×23	55.88	67.40	77.62
2×24	58.42	69.94	80.16
2×25	60.96	72.48	82.70
2×26	63.50	75.02	85.24
2×27	66.04	77.56	87.78
2×28	68.58	80.10	90.32
2×29	71.12	82.64	92.86
2×30	73.66	85.18	95.40
2×31	76.20	87.72	97.94
2×32	78.74	90.26	100.48
2×33	81.28	92.80	103.02
2×34	83.82	95.34	105.56
2×35	86.36	97.88	108.10
2×36	88.90	100.42	110.64
2×37	91.44	102.96	113.18
2×38	93.98	105.50	115.72
2×39	96.52	108.04	118.26
2×40	99.06	110.58	120.80



Specification:
 Current Rating : 3AMP
 Temperature Range : -40°C to $+105^{\circ}\text{C}$
 Contact Resistance : $20\text{m}\Omega$ Max
 Insulation Resistance : $1000\text{M}\Omega$ Min
 Withstanding Voltage : AC 1000V
 Material:
 Insulator : Polyester (UL94V-0)
 Standard:PBT/PA6T/LCP
 Contact: Brass
 Plating : Au or Sn Over $50\mu\text{Ni}$

PCB LAYOUT



REV.	REVISION RECORD	DATE	UNIT: MM	GENERAL TOLERANCES		SCALE: 1:1	NAME	DATE	深圳市联索连接器有限公司 SHENZHEN UNICABLE CONNECTOR CO., LTD. 公司网址WWW.SZLSTC.CN 公司电话0755-23765650 公司邮箱SZLSTC@126.COM 公司传真0755-23765753	PART. NO:		
				LINEAR	ANGLES					LSEH-0017-01		
				0.00 ± 0.15	$X^{\circ} \text{ REF} \pm 6^{\circ}$	APPROVED				DWG. NO:		
				0.00 ± 0.08	$X^{\circ} \pm 3^{\circ}$	DESIGNER			TITLE: 2.54mm间距牛角, 90°, 立高13.0mm Spec: 2.54mm Female Header, Dual Row, Right Angle Positions: 2×5~2×40 Plastics Height: 13.0mm			
			SIZE: A4	0.000 ± 0.08	$X^{\circ} X' \pm 2^{\circ}$	DRAWN			ENDE3017-01		REV: AO	SHEET: 1/1