

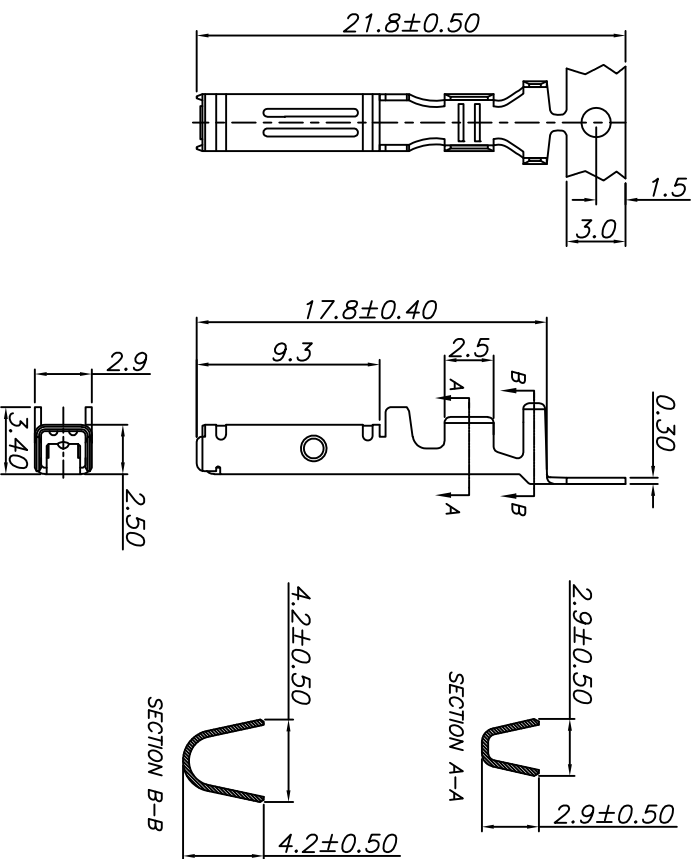
环保物料

Reference Informations:  
\*Used in 43811 Receptacle Housing

Ordering Information & Specifications

Part No	Wire Range	Insulation O. D.	Material	Finish
43811T 0P-**	AWG#16 -#20	1.25mm (max)	Phosphor Bronze	Au or Sn

Unit: mm



GENERAL TOLERANCES		SCALES:		NAME		DATE	
LINEAR	ANGLES	1:1	APPROVED				
0.0±0.25	X° REF±6°		DESIGNER				
0.00±0.15	X° ±3°		DRAWN	肖丽娟		2018.07.28	
0.000±0.08	X° X'±2°						
UNIT: MM		SCALE: 1:1					
SIZE: A4		DRAWN					
DATE		DRAWN					
2018.07.28		肖丽娟					
REVISION RECORD		DRAWN					
REV.		DRAWN					
A0		肖丽娟					
新图面发行		肖丽娟					
1		肖丽娟					
2		肖丽娟					
3		肖丽娟					
4		肖丽娟					
5		肖丽娟					
6		肖丽娟					
7		肖丽娟					
8		肖丽娟					


**深圳市联索连接器有限公司**  
 SHENZHEN UNICABLE CONNECTOR CO., LTD.  
 公司地址: SZ, SZ126, COM1  
 公司网址: WWW.SZ126.COM  
 公司电话: 0755-23765650  
 公司传真: 0755-23765753

TITLE: 3.81mm pitch Crimp Terminal  
 PART. NO: 43811T0P-\*\*  
 DWG. NO: ENDE05  
 REV: A0 SHEET: 1/1