

环保物料

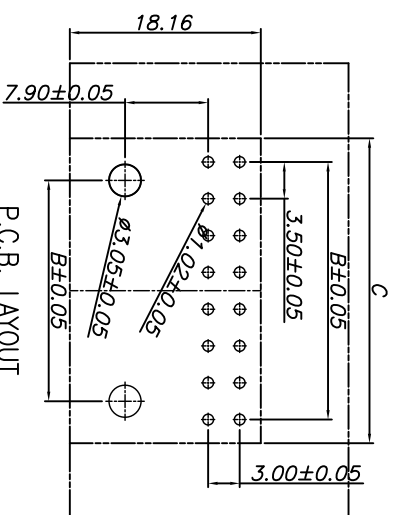
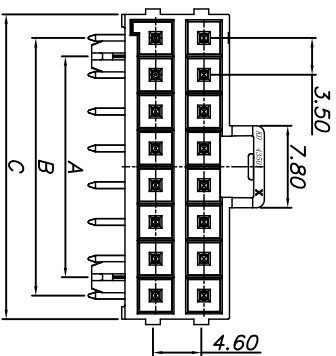
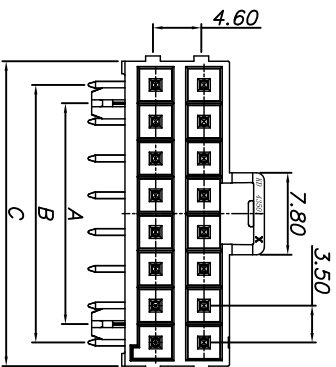
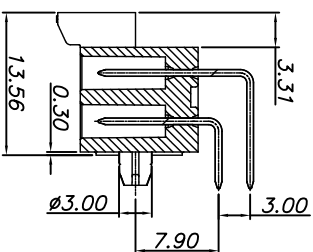
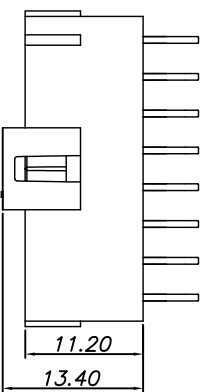
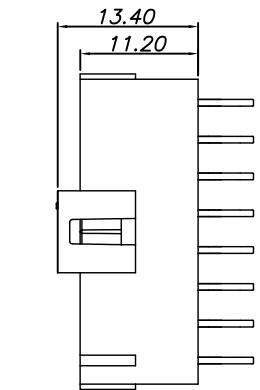
Reference Informations:
 *Material: Pin: Brass
 Wafer: LCP, UL94V-0

43501W90-2XNP*-B3-**-

43501W91-2XNP*-B3-**-

Dimensional Information:

| Part No | Dimensions | | |
|---------|------------|-------|-------|
| | A | B | C |
| 2*2P | — | 3.50 | 8.00 |
| 2*3P | — | 7.00 | 11.50 |
| 2*4P | 7.00 | 10.50 | 15.00 |
| 2*5P | 10.50 | 14.00 | 18.50 |
| 2*6P | 14.00 | 17.50 | 22.00 |
| 2*7P | 17.50 | 21.00 | 25.50 |
| 2*8P | 21.00 | 24.50 | 29.00 |



| 1 | 2 | 3 | 4 | 5 | 6 | 7 | 8 | | | | | | | | | | | | | | | | | | | | | | | | | | | | | | | | | | | | |
|--|---|--|-------|---|---|--|---|---------|------------|--|--|---|---|---|------|---|------|------|------|---|------|-------|------|------|-------|-------|------|-------|-------|-------|------|-------|-------|-------|------|-------|-------|-------|------|-------|-------|-------|---|
| A | 43501W90-2XNP*-B3-**- 43501W91-2XNP*-B3-**- Dimensional Information: Reference Informations: *Material: Pin: Brass Wafer: LCP, UL94V-0 | | | | | | | A | | | | | | | | | | | | | | | | | | | | | | | | | | | | | | | | | | | |
| B | Dimensional Information: <table border="1"> <thead> <tr> <th rowspan="2">Part No</th> <th colspan="3">Dimensions</th> </tr> <tr> <th>A</th> <th>B</th> <th>C</th> </tr> </thead> <tbody> <tr> <td>2*2P</td> <td>—</td> <td>3.50</td> <td>8.00</td> </tr> <tr> <td>2*3P</td> <td>—</td> <td>7.00</td> <td>11.50</td> </tr> <tr> <td>2*4P</td> <td>7.00</td> <td>10.50</td> <td>15.00</td> </tr> <tr> <td>2*5P</td> <td>10.50</td> <td>14.00</td> <td>18.50</td> </tr> <tr> <td>2*6P</td> <td>14.00</td> <td>17.50</td> <td>22.00</td> </tr> <tr> <td>2*7P</td> <td>17.50</td> <td>21.00</td> <td>25.50</td> </tr> <tr> <td>2*8P</td> <td>21.00</td> <td>24.50</td> <td>29.00</td> </tr> </tbody> </table> | | | | | | | Part No | Dimensions | | | A | B | C | 2*2P | — | 3.50 | 8.00 | 2*3P | — | 7.00 | 11.50 | 2*4P | 7.00 | 10.50 | 15.00 | 2*5P | 10.50 | 14.00 | 18.50 | 2*6P | 14.00 | 17.50 | 22.00 | 2*7P | 17.50 | 21.00 | 25.50 | 2*8P | 21.00 | 24.50 | 29.00 | B |
| Part No | Dimensions | | | | | | | | | | | | | | | | | | | | | | | | | | | | | | | | | | | | | | | | | | |
| | A | B | C | | | | | | | | | | | | | | | | | | | | | | | | | | | | | | | | | | | | | | | | |
| 2*2P | — | 3.50 | 8.00 | | | | | | | | | | | | | | | | | | | | | | | | | | | | | | | | | | | | | | | | |
| 2*3P | — | 7.00 | 11.50 | | | | | | | | | | | | | | | | | | | | | | | | | | | | | | | | | | | | | | | | |
| 2*4P | 7.00 | 10.50 | 15.00 | | | | | | | | | | | | | | | | | | | | | | | | | | | | | | | | | | | | | | | | |
| 2*5P | 10.50 | 14.00 | 18.50 | | | | | | | | | | | | | | | | | | | | | | | | | | | | | | | | | | | | | | | | |
| 2*6P | 14.00 | 17.50 | 22.00 | | | | | | | | | | | | | | | | | | | | | | | | | | | | | | | | | | | | | | | | |
| 2*7P | 17.50 | 21.00 | 25.50 | | | | | | | | | | | | | | | | | | | | | | | | | | | | | | | | | | | | | | | | |
| 2*8P | 21.00 | 24.50 | 29.00 | | | | | | | | | | | | | | | | | | | | | | | | | | | | | | | | | | | | | | | | |
| C | 43501W90-2XNP*-B3-**- 43501W91-2XNP*-B3-**- | | | | | | | C | | | | | | | | | | | | | | | | | | | | | | | | | | | | | | | | | | | |
| D | Dimensional Information: <table border="1"> <thead> <tr> <th rowspan="2">Part No</th> <th colspan="3">Dimensions</th> </tr> <tr> <th>A</th> <th>B</th> <th>C</th> </tr> </thead> <tbody> <tr> <td>2*2P</td> <td>—</td> <td>3.50</td> <td>8.00</td> </tr> <tr> <td>2*3P</td> <td>—</td> <td>7.00</td> <td>11.50</td> </tr> <tr> <td>2*4P</td> <td>7.00</td> <td>10.50</td> <td>15.00</td> </tr> <tr> <td>2*5P</td> <td>10.50</td> <td>14.00</td> <td>18.50</td> </tr> <tr> <td>2*6P</td> <td>14.00</td> <td>17.50</td> <td>22.00</td> </tr> <tr> <td>2*7P</td> <td>17.50</td> <td>21.00</td> <td>25.50</td> </tr> <tr> <td>2*8P</td> <td>21.00</td> <td>24.50</td> <td>29.00</td> </tr> </tbody> </table> | | | | | | | Part No | Dimensions | | | A | B | C | 2*2P | — | 3.50 | 8.00 | 2*3P | — | 7.00 | 11.50 | 2*4P | 7.00 | 10.50 | 15.00 | 2*5P | 10.50 | 14.00 | 18.50 | 2*6P | 14.00 | 17.50 | 22.00 | 2*7P | 17.50 | 21.00 | 25.50 | 2*8P | 21.00 | 24.50 | 29.00 | D |
| Part No | Dimensions | | | | | | | | | | | | | | | | | | | | | | | | | | | | | | | | | | | | | | | | | | |
| | A | B | C | | | | | | | | | | | | | | | | | | | | | | | | | | | | | | | | | | | | | | | | |
| 2*2P | — | 3.50 | 8.00 | | | | | | | | | | | | | | | | | | | | | | | | | | | | | | | | | | | | | | | | |
| 2*3P | — | 7.00 | 11.50 | | | | | | | | | | | | | | | | | | | | | | | | | | | | | | | | | | | | | | | | |
| 2*4P | 7.00 | 10.50 | 15.00 | | | | | | | | | | | | | | | | | | | | | | | | | | | | | | | | | | | | | | | | |
| 2*5P | 10.50 | 14.00 | 18.50 | | | | | | | | | | | | | | | | | | | | | | | | | | | | | | | | | | | | | | | | |
| 2*6P | 14.00 | 17.50 | 22.00 | | | | | | | | | | | | | | | | | | | | | | | | | | | | | | | | | | | | | | | | |
| 2*7P | 17.50 | 21.00 | 25.50 | | | | | | | | | | | | | | | | | | | | | | | | | | | | | | | | | | | | | | | | |
| 2*8P | 21.00 | 24.50 | 29.00 | | | | | | | | | | | | | | | | | | | | | | | | | | | | | | | | | | | | | | | | |
| E | Dimensional Information: <table border="1"> <thead> <tr> <th rowspan="2">Part No</th> <th colspan="3">Dimensions</th> </tr> <tr> <th>A</th> <th>B</th> <th>C</th> </tr> </thead> <tbody> <tr> <td>2*2P</td> <td>—</td> <td>3.50</td> <td>8.00</td> </tr> <tr> <td>2*3P</td> <td>—</td> <td>7.00</td> <td>11.50</td> </tr> <tr> <td>2*4P</td> <td>7.00</td> <td>10.50</td> <td>15.00</td> </tr> <tr> <td>2*5P</td> <td>10.50</td> <td>14.00</td> <td>18.50</td> </tr> <tr> <td>2*6P</td> <td>14.00</td> <td>17.50</td> <td>22.00</td> </tr> <tr> <td>2*7P</td> <td>17.50</td> <td>21.00</td> <td>25.50</td> </tr> <tr> <td>2*8P</td> <td>21.00</td> <td>24.50</td> <td>29.00</td> </tr> </tbody> </table> | | | | | | | Part No | Dimensions | | | A | B | C | 2*2P | — | 3.50 | 8.00 | 2*3P | — | 7.00 | 11.50 | 2*4P | 7.00 | 10.50 | 15.00 | 2*5P | 10.50 | 14.00 | 18.50 | 2*6P | 14.00 | 17.50 | 22.00 | 2*7P | 17.50 | 21.00 | 25.50 | 2*8P | 21.00 | 24.50 | 29.00 | E |
| Part No | Dimensions | | | | | | | | | | | | | | | | | | | | | | | | | | | | | | | | | | | | | | | | | | |
| | A | B | C | | | | | | | | | | | | | | | | | | | | | | | | | | | | | | | | | | | | | | | | |
| 2*2P | — | 3.50 | 8.00 | | | | | | | | | | | | | | | | | | | | | | | | | | | | | | | | | | | | | | | | |
| 2*3P | — | 7.00 | 11.50 | | | | | | | | | | | | | | | | | | | | | | | | | | | | | | | | | | | | | | | | |
| 2*4P | 7.00 | 10.50 | 15.00 | | | | | | | | | | | | | | | | | | | | | | | | | | | | | | | | | | | | | | | | |
| 2*5P | 10.50 | 14.00 | 18.50 | | | | | | | | | | | | | | | | | | | | | | | | | | | | | | | | | | | | | | | | |
| 2*6P | 14.00 | 17.50 | 22.00 | | | | | | | | | | | | | | | | | | | | | | | | | | | | | | | | | | | | | | | | |
| 2*7P | 17.50 | 21.00 | 25.50 | | | | | | | | | | | | | | | | | | | | | | | | | | | | | | | | | | | | | | | | |
| 2*8P | 21.00 | 24.50 | 29.00 | | | | | | | | | | | | | | | | | | | | | | | | | | | | | | | | | | | | | | | | |
| F | Dimensional Information: <table border="1"> <thead> <tr> <th rowspan="2">Part No</th> <th colspan="3">Dimensions</th> </tr> <tr> <th>A</th> <th>B</th> <th>C</th> </tr> </thead> <tbody> <tr> <td>2*2P</td> <td>—</td> <td>3.50</td> <td>8.00</td> </tr> <tr> <td>2*3P</td> <td>—</td> <td>7.00</td> <td>11.50</td> </tr> <tr> <td>2*4P</td> <td>7.00</td> <td>10.50</td> <td>15.00</td> </tr> <tr> <td>2*5P</td> <td>10.50</td> <td>14.00</td> <td>18.50</td> </tr> <tr> <td>2*6P</td> <td>14.00</td> <td>17.50</td> <td>22.00</td> </tr> <tr> <td>2*7P</td> <td>17.50</td> <td>21.00</td> <td>25.50</td> </tr> <tr> <td>2*8P</td> <td>21.00</td> <td>24.50</td> <td>29.00</td> </tr> </tbody> </table> | | | | | | | Part No | Dimensions | | | A | B | C | 2*2P | — | 3.50 | 8.00 | 2*3P | — | 7.00 | 11.50 | 2*4P | 7.00 | 10.50 | 15.00 | 2*5P | 10.50 | 14.00 | 18.50 | 2*6P | 14.00 | 17.50 | 22.00 | 2*7P | 17.50 | 21.00 | 25.50 | 2*8P | 21.00 | 24.50 | 29.00 | F |
| Part No | Dimensions | | | | | | | | | | | | | | | | | | | | | | | | | | | | | | | | | | | | | | | | | | |
| | A | B | C | | | | | | | | | | | | | | | | | | | | | | | | | | | | | | | | | | | | | | | | |
| 2*2P | — | 3.50 | 8.00 | | | | | | | | | | | | | | | | | | | | | | | | | | | | | | | | | | | | | | | | |
| 2*3P | — | 7.00 | 11.50 | | | | | | | | | | | | | | | | | | | | | | | | | | | | | | | | | | | | | | | | |
| 2*4P | 7.00 | 10.50 | 15.00 | | | | | | | | | | | | | | | | | | | | | | | | | | | | | | | | | | | | | | | | |
| 2*5P | 10.50 | 14.00 | 18.50 | | | | | | | | | | | | | | | | | | | | | | | | | | | | | | | | | | | | | | | | |
| 2*6P | 14.00 | 17.50 | 22.00 | | | | | | | | | | | | | | | | | | | | | | | | | | | | | | | | | | | | | | | | |
| 2*7P | 17.50 | 21.00 | 25.50 | | | | | | | | | | | | | | | | | | | | | | | | | | | | | | | | | | | | | | | | |
| 2*8P | 21.00 | 24.50 | 29.00 | | | | | | | | | | | | | | | | | | | | | | | | | | | | | | | | | | | | | | | | |
| G | Dimensional Information: <table border="1"> <thead> <tr> <th rowspan="2">Part No</th> <th colspan="3">Dimensions</th> </tr> <tr> <th>A</th> <th>B</th> <th>C</th> </tr> </thead> <tbody> <tr> <td>2*2P</td> <td>—</td> <td>3.50</td> <td>8.00</td> </tr> <tr> <td>2*3P</td> <td>—</td> <td>7.00</td> <td>11.50</td> </tr> <tr> <td>2*4P</td> <td>7.00</td> <td>10.50</td> <td>15.00</td> </tr> <tr> <td>2*5P</td> <td>10.50</td> <td>14.00</td> <td>18.50</td> </tr> <tr> <td>2*6P</td> <td>14.00</td> <td>17.50</td> <td>22.00</td> </tr> <tr> <td>2*7P</td> <td>17.50</td> <td>21.00</td> <td>25.50</td> </tr> <tr> <td>2*8P</td> <td>21.00</td> <td>24.50</td> <td>29.00</td> </tr> </tbody> </table> | | | | | | | Part No | Dimensions | | | A | B | C | 2*2P | — | 3.50 | 8.00 | 2*3P | — | 7.00 | 11.50 | 2*4P | 7.00 | 10.50 | 15.00 | 2*5P | 10.50 | 14.00 | 18.50 | 2*6P | 14.00 | 17.50 | 22.00 | 2*7P | 17.50 | 21.00 | 25.50 | 2*8P | 21.00 | 24.50 | 29.00 | G |
| Part No | Dimensions | | | | | | | | | | | | | | | | | | | | | | | | | | | | | | | | | | | | | | | | | | |
| | A | B | C | | | | | | | | | | | | | | | | | | | | | | | | | | | | | | | | | | | | | | | | |
| 2*2P | — | 3.50 | 8.00 | | | | | | | | | | | | | | | | | | | | | | | | | | | | | | | | | | | | | | | | |
| 2*3P | — | 7.00 | 11.50 | | | | | | | | | | | | | | | | | | | | | | | | | | | | | | | | | | | | | | | | |
| 2*4P | 7.00 | 10.50 | 15.00 | | | | | | | | | | | | | | | | | | | | | | | | | | | | | | | | | | | | | | | | |
| 2*5P | 10.50 | 14.00 | 18.50 | | | | | | | | | | | | | | | | | | | | | | | | | | | | | | | | | | | | | | | | |
| 2*6P | 14.00 | 17.50 | 22.00 | | | | | | | | | | | | | | | | | | | | | | | | | | | | | | | | | | | | | | | | |
| 2*7P | 17.50 | 21.00 | 25.50 | | | | | | | | | | | | | | | | | | | | | | | | | | | | | | | | | | | | | | | | |
| 2*8P | 21.00 | 24.50 | 29.00 | | | | | | | | | | | | | | | | | | | | | | | | | | | | | | | | | | | | | | | | |
| H | Dimensional Information: <table border="1"> <thead> <tr> <th rowspan="2">Part No</th> <th colspan="3">Dimensions</th> </tr> <tr> <th>A</th> <th>B</th> <th>C</th> </tr> </thead> <tbody> <tr> <td>2*2P</td> <td>—</td> <td>3.50</td> <td>8.00</td> </tr> <tr> <td>2*3P</td> <td>—</td> <td>7.00</td> <td>11.50</td> </tr> <tr> <td>2*4P</td> <td>7.00</td> <td>10.50</td> <td>15.00</td> </tr> <tr> <td>2*5P</td> <td>10.50</td> <td>14.00</td> <td>18.50</td> </tr> <tr> <td>2*6P</td> <td>14.00</td> <td>17.50</td> <td>22.00</td> </tr> <tr> <td>2*7P</td> <td>17.50</td> <td>21.00</td> <td>25.50</td> </tr> <tr> <td>2*8P</td> <td>21.00</td> <td>24.50</td> <td>29.00</td> </tr> </tbody> </table> | | | | | | | Part No | Dimensions | | | A | B | C | 2*2P | — | 3.50 | 8.00 | 2*3P | — | 7.00 | 11.50 | 2*4P | 7.00 | 10.50 | 15.00 | 2*5P | 10.50 | 14.00 | 18.50 | 2*6P | 14.00 | 17.50 | 22.00 | 2*7P | 17.50 | 21.00 | 25.50 | 2*8P | 21.00 | 24.50 | 29.00 | H |
| Part No | Dimensions | | | | | | | | | | | | | | | | | | | | | | | | | | | | | | | | | | | | | | | | | | |
| | A | B | C | | | | | | | | | | | | | | | | | | | | | | | | | | | | | | | | | | | | | | | | |
| 2*2P | — | 3.50 | 8.00 | | | | | | | | | | | | | | | | | | | | | | | | | | | | | | | | | | | | | | | | |
| 2*3P | — | 7.00 | 11.50 | | | | | | | | | | | | | | | | | | | | | | | | | | | | | | | | | | | | | | | | |
| 2*4P | 7.00 | 10.50 | 15.00 | | | | | | | | | | | | | | | | | | | | | | | | | | | | | | | | | | | | | | | | |
| 2*5P | 10.50 | 14.00 | 18.50 | | | | | | | | | | | | | | | | | | | | | | | | | | | | | | | | | | | | | | | | |
| 2*6P | 14.00 | 17.50 | 22.00 | | | | | | | | | | | | | | | | | | | | | | | | | | | | | | | | | | | | | | | | |
| 2*7P | 17.50 | 21.00 | 25.50 | | | | | | | | | | | | | | | | | | | | | | | | | | | | | | | | | | | | | | | | |
| 2*8P | 21.00 | 24.50 | 29.00 | | | | | | | | | | | | | | | | | | | | | | | | | | | | | | | | | | | | | | | | |
| GENERAL TOLERANCES LINEAR: 0.0 ± 0.25 ANGLES: X° REF ± 6° X° ± 3° X° X' ± 2° | | SCALE: 1:1 APPROVED: [Signature] DESIGNER: [Signature] | | NAME: 肖丽娟 DATE: 2018.07.28 | | TITLE: 3.50mm pitch Dual Wafer PART. NO.: 43501W9*-2XNP*-B3-**- DWG. NO.: ENDE05 | | | | | | | | | | | | | | | | | | | | | | | | | | | | | | | | | | | | | |
| REVISION RECORD REV. 1 DATE 2018.07.28 UNIT: MM SIZE: A4 0.000 ± 0.08 X° X' ± 2° DRAWN: 肖丽娟 | | 新图面发行 2018.07.28 MM A4 0.00 ± 0.15 X° ± 3° | | 2018.07.28 MM A4 0.00 ± 0.08 X° X' ± 2° | | 1 2 3 4 5 6 7 8 | | | | | | | | | | | | | | | | | | | | | | | | | | | | | | | | | | | | | |



深圳市联索连接器有限公司
 SHENZHEN UNICABLE CONNECTOR CO., LTD.
 公司地址: WWW.SZLSTC.COM
 公司网址: WWW.SZLSTC.COM
 公司邮箱: SZLSTC@126.COM
 公司电话: 0755-23765650
 公司传真: 0755-23765753

TITLE: 3.50mm pitch Dual Wafer

REV: A0
 SHEET: 1/1